

The  
United  
States  
of  
America



# United States Patent

Granted on January 4, 1966 to

**Robert C. Nemeth**

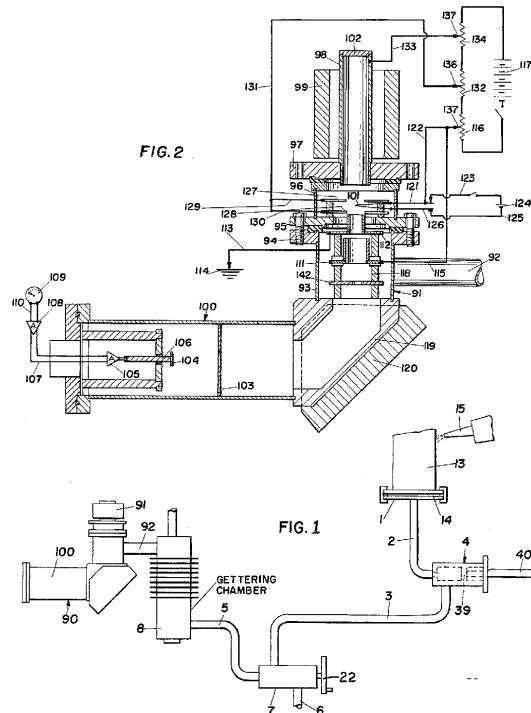
**-INVENTOR-**

Patent No. 3,227,872

Vacuum Instrument Corporation

## **MASS SPECTROMETER LEAK DETECTING DEVICE IN COMBINATION WITH A GETTERING CHAMBER**

This invention relates to leak detecting devices in general and more particularly to devices for detecting leaks of infinitesimally small size by means of inert noble tracer gases such as helium, argon, neon, and the like, and to the method for determining such leaks with inert noble tracer gases such as helium, argon, neon, and the like. The present application is a continuation-in-part of my application for patent Serial No. 815,554 filed May, 1959 now U.S. Patent No. 3,070,992.



*The Commissioner of Patents and Trademarks has received an application for a patent for a new and useful invention. The requirements of law have been complied with, and it has been determined that a patent on the invention shall be granted under the law. Therefore, this*

## United States Patent

*grants to the person or persons having title to this patent the right to exclude others from making, using or selling the invention throughout the United States of America for the term of seventeen years from the date of this patent, subject to the payment of maintenance fees as provided by law.*

**Ralph G. Nilson**

Acting Commissioner of Patents

